



The Sonerai is not a kit built aircraft. It can be built and purchased as you build. Many of the components required for your Sonerai are available through Great Plains Aircraft Supply. Specific Sonerai parts and their prices are found within these sheets. A separate catalog is available for the Great Plains Aircraft VW Engine Parts and Components for \$4.00 (U.S. and Canada) and \$8.00 Overseas. Our complete VW Engine and Parts Catalog and the Sonerai Info Pack may also be found on the web at: [www.gpasc.com](http://www.gpasc.com) or [www.sonerai.com](http://www.sonerai.com)

**GREAT PLAINS AIRCRAFT**

Sonerai I, II-Original and II-Stretch Plans are 8 1/2" X 14". Includes *Wing Construction Manual, Construction Manual & Photos, Wing Template, and Flight Manual*. Stretch Plans include full size templates.

Price (plus postage) ..... \$124.95

Sonerai Aileron. Aileron is 96" long and is preformed, but not riveted.

Price ..... \$145.95 each



Sonerai Rib Kit.



Sonerai I Rib Kit - 16

Laser Cut Only ..... \$306.96

Complete Ribs (need to be fluted) ..... \$545.36

Sonerai II Rib Kit - 22

Laser Cut Only ..... \$421.95

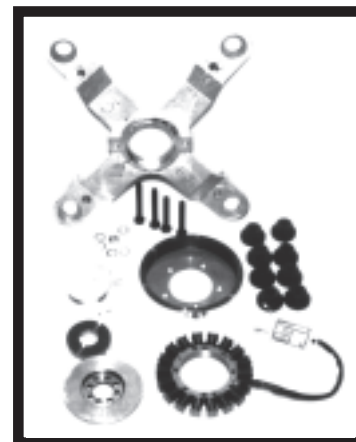
Complete Ribs (need to be fluted) ..... \$749.95

Sonerai Pre-Bent Spar Kit. Includes pair of front and back.

Price ..... \$259.00



Wing Spar Cap Kit. Price ..... \$329.95



X-Casting Kit is designed for the individual that does not want electric starting, but wants an alternator and engine vibration isolation & dampening. X-Casting Kit includes steel flywheel end piece, mag drive piece, floating mag drive puck, 22 amp alternator and miscellaneous installation hardware.

Price ..... \$539.35

Sonerai Fuel Tanks.

Main Tank:

II L/LT. .... \$455.00

II LSLTS ..... \$455.00

Auxiliary Tanks:

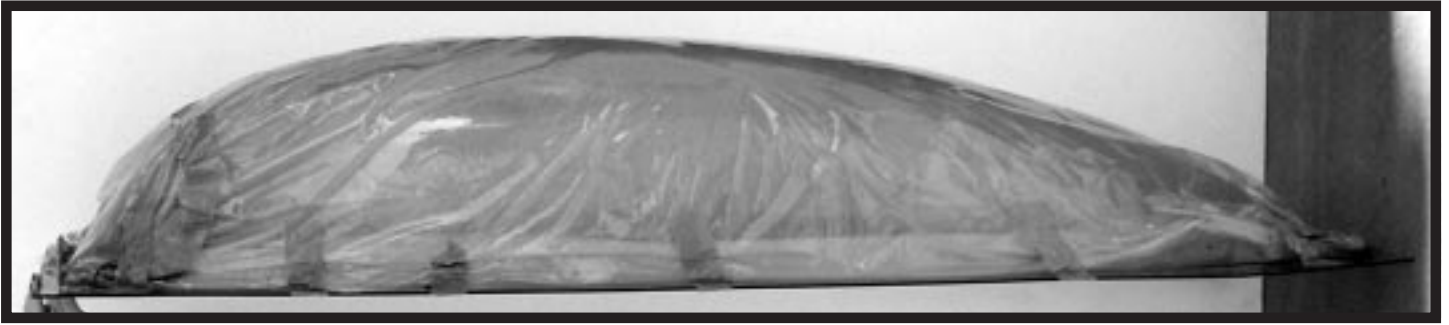
III L/LT ..... \$345.00

II LS/LTS ..... \$345.00



Sonerai Set Back Oil Cooler Adapter Plate. Fits our stock VW late model oil cooler. From a billet of aluminum. Does not include hardware.

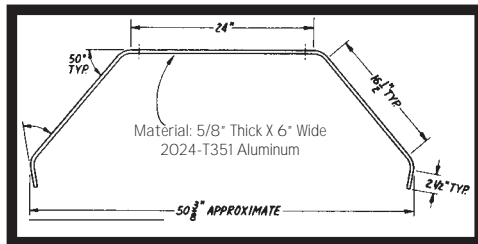
Price ..... \$59.95



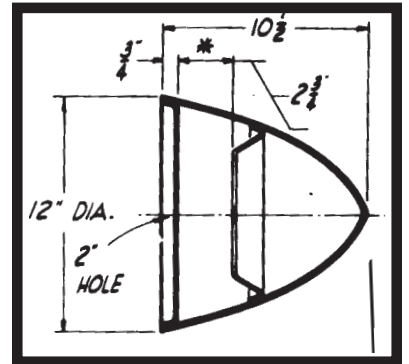
**Sonerai II Canopy.** Price . . . \$325.00 The Canopy is too large to ship via UPS. It must be crated (\$45.00 charge) and shipped via BAX for 100% of the value or by common carrier for 25% of the value. If the Canopy is damaged in shipment by BAX, insurance will cover damage. If common carrier is requested, any damage is the responsibility of the purchaser. Please call for rate quotes. Canopy can be picked up in Omaha, Nebraska (NE tax of 6.5% will be charged).

## GREAT PLAINS AIRCRAFT

**Sonerai Landing Gear.** (5/8" thick)  
 Sonerai I . \$495.00  
 Sonerai II . \$495.00  
 (Shown)



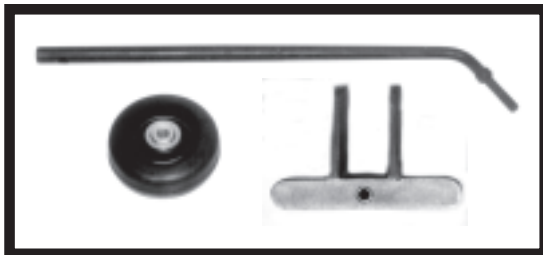
Our quality **Spinner** is made to fit props that are 2.750" thick. All spinners will need to have prop cut out cut in them. All back plates have a 2" diameter prop hub centering hole and need to be drilled for the prop hub.



**12" Spinner, Front & Back Plates . . . \$111.15**

### Tailwheel Spring, Caster & Tailwheel

**Tailwheel Spring** is made from 5150 steel and is heat treated for hardness.



Price . . . . . \$109.95

**Tailwheel Spring Caster** will fit a tailwheel up to 5" O.D. and 1.5" wide. It is made from cast aluminum.

**Tailwheel Spring Caster** ..... \$29.95

**Tailwheel** fits above and is 4.250" O.D. and 1.5" wide and has bearings. **Tailwheel** ..... \$24.95

**Sonerai Style Intake Manifold System** is a low height intake manifold system that runs parallel to the top of the cylinder head. Kit consists of 2 cast manifolds for the cylinder heads, a "Y" cross over tube and 2 each 90 degree connecting tubes. The Intake Manifolds are available separately also.

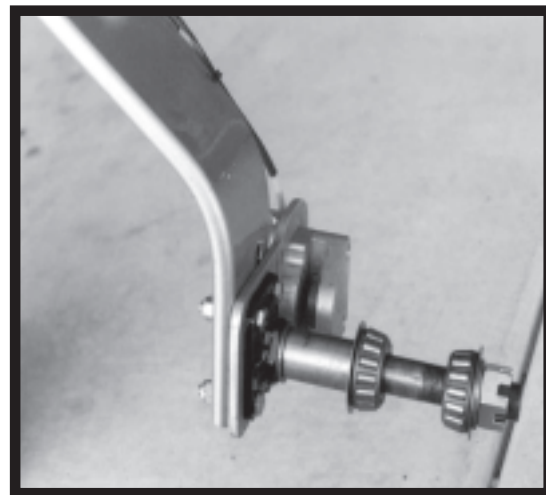


**Sonerai Intake System** ..... \$244.95  
**Fuel proof connecting hose kit** ..... \$17.95  
**Intake Castings Only** ..... \$119.95



**Hydraulic Brake Retrofit Kit** can be used on your Sonerai (gross weight of up to 1200 pounds). The calipers are a dual sided brake that press against both sides of the disk. Used with Azusa 5" or 6" wheels. It will fit either 3/4" or 5/8" standard axles. The complete Hydraulic Brake Kit weighs only 5.75 pounds, less the wheels!

- The retrofit kit consists of 2 discs, 2 calipers, 2 disc spacers and 2 caliper holders. Price ..... \$299.95  
 Master Cylinders ..... \$59.95 each  
 (can be used as heel or toe brakes)  
 Tube & hardware kit ..... \$12.95 each  
 Single hand lever operates master cylinder ..... \$99.95 each  
 Dual hand lever operated master cylinders ..... \$148.95



## COMPONENT SUPPLIERS

In addition to the plans, engine, brakes, tires & tubes, cowling, canopies, rivet kit and gas tanks (see Sonerai Price List) that are supplied by Great Plains Aircraft. You will need to order the 4130 steel, aluminum, and hardware from vendors of your choice. These items will cost approximately \$1500.00.

Each set of Sonerai plans comes complete with a listing of raw materials needed to construct a Sonerai aircraft. You will find that you will need additional hardware to finish your aircraft.

When ordering the wing skin material from *Airparts, Inc.* (1-800-800-3229), be sure to specify the length of the skins. A standard sheet is only 96" long and the length required for the Sonerai wing skins are 100" in length.

The following parts are available from:

*Prices effective 07/14/08*

### **GREAT PLAINS AIRCRAFT**

7011 N 160 Avenue • BENNINGTON, NE 68007 • WEB: [www.sonerai.com](http://www.sonerai.com)

Tel 402-493-6507 • Fax 402-493-3846 • Orders 1-800-922-6507 • E-MAIL: [info@greatplainsas.com](mailto:info@greatplainsas.com)

## PRICE LIST

<u>ITEM</u>	<u>SONERAI I</u>	<u>ALL SONERAI II'S</u>	<u>PRICE</u>
AILERON - EACH .....	X .....	X .....	145.95
AXLE KIT - PAIR Pre-Welded 3/4" .....	X .....	X .....	59.95
BRAKE KIT, HYDRAULIC - PAIR .....	X .....	X .....	299.95
BRAKE KIT, MECHANICAL - PAIR .....	X .....	X .....	65.60
CANOPY .....		X .....	325.00 *
COWLING (NOTE: IF I OR II) .....	X .....	X .....	395.00 *
EXHAUST KIT U-BUILD .....	X .....	X .....	23.95
EXHAUST KIT PRE-WELDED .....	X .....	X .....	48.95
FUEL TANK - Main .....	X .....	X .....	455.00
FUEL TANK II LS/LTS - Aux .....		X .....	345.00
FUEL TANK II L/LT - Aux .....		X .....	345.00
INTAKE MANIFOLD SYSTEM .....		X .....	229.95

# PRICE LIST

<u>ITEM</u>	<u>SONERAI I</u>	<u>ALL SONERAI II'S</u>	<u>PRICE</u>
LANDING GEAR- 5/8" .....	X .....	X .....	495.00
PLANS .....	X .....	X .....	124.95
RIB KIT - 16 .....	X .....		
LASER CUT ONLY .....	X .....		306.96
COMPLETE RIBS .....		X .....	545.36
RIB KIT - 22 .....		X .....	
LASER CUT ONLY .....		X .....	421.95
COMPLETE RIBS .....		X .....	749.95
RIVET KIT .....	X .....	X .....	319.95
SPAR KIT (FRONT & BACK) PRE-BENT .....	X .....	X .....	259.00
12" SPINNER .....	X .....	X .....	49.50
12" FRONT PLATE (2-3/4" PROP) .....	X .....	X .....	29.70
12" BACK PLATE .....	X .....	X .....	31.95
TAILWHEEL SPRING .....	X .....	X .....	109.95
TAILWHEEL CASTER .....	X .....	X .....	29.95
TAILWHEEL .....	X .....	X .....	24.95
TAPER PIN - SMALL (2 EACH) .....	X .....	X .....	23.84
TAPER PIN KIT - LARGE (4 EACH) .....	X .....	X .....	48.95
TIRE & TUBE KIT - PAIR (410 x 350 x 5) .....	X .....	X .....	54.95
WHEEL PANTS - PAIR .....	X .....	X .....	149.95
WHEEL PANT - NOSE WHEEL .....	X .....	X .....	67.50
WHEEL KIT 5" with 3/4" Axle - PAIR .....	X .....	X .....	77.90
WING SPAR CAP KIT .....	X .....	X .....	329.95
WING TIPS - PAIR .....	X .....	X .....	134.95

## BOXING/CRATING CHARGES (DOES NOT INCLUDE SHIPPING COSTS)

AILERONS .....	X .....	X .....	\$20.00
AILERONS & SPARS - 1 BOX .....	X .....	X .....	\$20.00
* CANOPY OR COWLING IN CARDBOARD .....	X .....	X .....	\$20.00
* CANOPY OR COWLING IN WOOD CRATE .....	X .....	X .....	\$45.00
SPAR KIT .....	X .....	X .....	\$20.00
WHEEL PANTS FOR PAIR .....	X .....	X .....	\$10.00
WING TIPS - FOR PAIR .....	X .....	X .....	\$10.00

X = APPLIES

\* THE CANOPY AND COWLING CAN NOT BE SHIPPED VIA UPS. EACH MUST BE BOXED AND SHIPPED VIA COMMON CARRIER. THEY CAN BE INSURED FOR 100% OF THEIR VALUE AND SHIPPED BY BAX. BY FREIGHT LINE THEY CAN BE INSURED FOR 20% OF THEIR VALUE. IF BUYER REQUESTS CANOPY OR COWLING TO BE SHIPPED VIA FREIGHT LINE,

## **GREAT PLAINS AIRCRAFT**

7011 N 160 Avenue • BENNINGTON, NE 68007 • WEB: [www.sonerai.com](http://www.sonerai.com)

Tel 402-493-6507 • Fax 402-493-3846 • Orders 1-800-922-6507 • E-MAIL: [info@greatplainsas.com](mailto:info@greatplainsas.com)